

Dynapac CP2700

Pneumatic rollers




Technical data



Masses

| | |
|-----------------------------|------------|
| Operating mass (incl. ROPS) | 27,300 lbs |
| Mass with max. ballast | 59,500 lbs |
| Mass with wet sand ballast | 45,195 lbs |



Propulsion

| | |
|------------|---------|
| Speed low | 4.4 mph |
| Speed high | 0.0 mph |



Compaction

| | |
|------------------------------------|--------------|
| Rolling width | 91 in |
| Tire overlap | 1.7 in |
| Wheel loads, without ballast | 2,650 lbs |
| Wheel loads, with wet sand ballast | 4,200 lbs |
| Wheel loads, with max. ballast | 6,600 lbs |
| Tire pressure, min | 36 psi |
| Tire pressure, max | 123 psi |
| Tire type (smooth) | 13/80 R20 |
| Water spray system, type | Pressurized |
| Water spray system, tank capacity | 110 gal |
| Water spray system, spray nozzle | one per tire |
| Ballast volume | 106 cu. ft. |



Engine

| | |
|------------------------|---------------------------|
| Manufacturer/Model | Cummins QSB 4.5 (Tier 3) |
| Rated power, SAE J1995 | 110 hp @ 2,200 rpm |
| Type | Water cooled turbo diesel |
| Fuel tank capacity | 55 gal |
| Electrical system | 24V |



Engine

| | |
|------------------------|----------------------------|
| Manufacturer/Model | Cummins QSB 3.8 (Tier 4F) |
| Rated power, SAE J1995 | 97 kW (130 hp) @ 2,200 rpm |



Engine

| | |
|------------------------|----------------------------|
| Manufacturer/Model | Cummins QSB 4.5 (Tier 3) |
| Rated power, SAE J1995 | 93 kW (124 hp) @ 2,200 rpm |



Hydraulic system

| | |
|-------------------------|--|
| Driving | Axial piston pump with variable displacement. Axial piston motors (2) with variable displacement. |
| Steering | Axial piston pump with variable displacement. |
| Service brake | 2 multidisc brakes on rear wheels activated by pedal. |
| Parking/Emergency brake | Failsafe multidisc brakes in both gear boxes. |

Find us locally at www.atlascopco.com

We reserve the right to change specifications without notice. Photos and illustrations do not always show standard versions of machines. The above information is a general description only, all informations are supplied without liability.

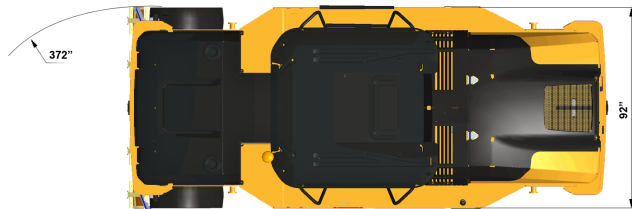
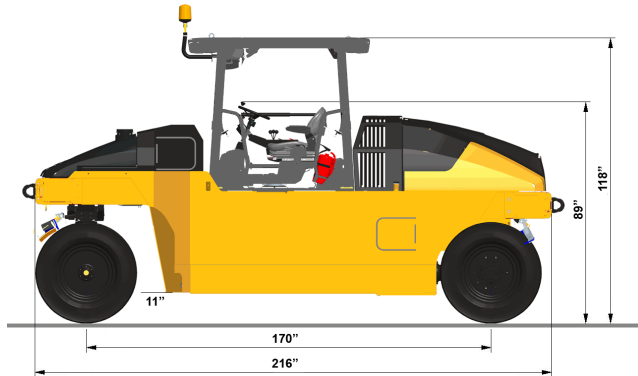
rce_cp2700_us-20160613.143748.pdf 2016-06-13 14:37

Dynapac CP2700

Pneumatic rollers

Atlas Copco

Technical data



Service and repair kits

| Type of kit | P/N | Serial Number/Additional info |
|--------------------|------------------------|---------------------------------------|
| 50h service kit | 4812155998 | CP2700 Teir 3 s/n 10000502x0B003898- |
| 250h service kit | 4812101896 | CP2700 Teir 3 s/n 10000502x0B003898- |
| 500h service kit | 4700945806, 4812101897 | CP2700 Teir 3 s/n 10000502x0B003898- |
| 750h service kit | 4812101896 | CP2700 Teir 3 s/n 10000502x0B003898- |
| 1000h service kit | 4812155999, 4812101916 | CP2700 Teir 3 s/n 10000502x0B003898- |
| 50h service kit | 4812316684 | CP2700 Teir 4i s/n 10000507x0B003949- |
| 250h service kit | 4812316685, 4812316686 | CP2700 Teir 4i s/n 10000507x0B003949- |
| 500h service kit | 4812316687, 4812316688 | CP2700 Teir 4i s/n 10000507x0B003949- |
| 750h service kit | 4812316685, 4812316686 | CP2700 Teir 4i s/n 10000507x0B003949- |
| 1000h service kit | 4812316689, 4812316690 | CP2700 Teir 4i s/n 10000507x0B003949- |
| Sprinkler kit | 4812155698 | |
| Scraper kit | 4812155696 | |
| Air on the run kit | 4812155751 | Front |
| Air on the run kit | 4812155751 | Rear |
| Working lights kit | 470PP81096 | |

Find us locally at www.atlascopco.com

We reserve the right to change specifications without notice. Photos and illustrations do not always show standard versions of machines. The above information is a general description only, all informations are supplied without liability.

rce_cp2700_us-20160613.143748.pdf 2016-06-13 14:37